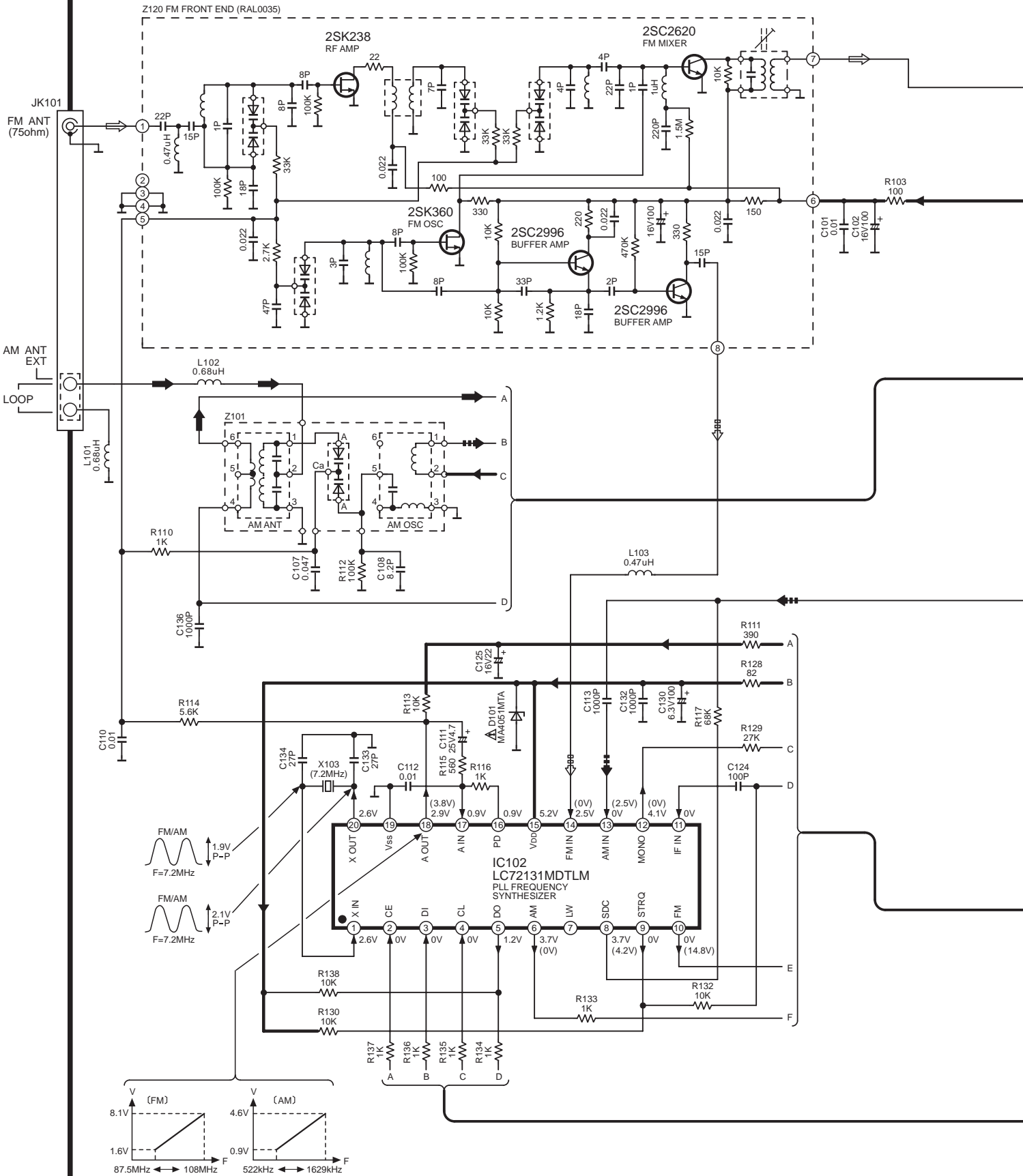
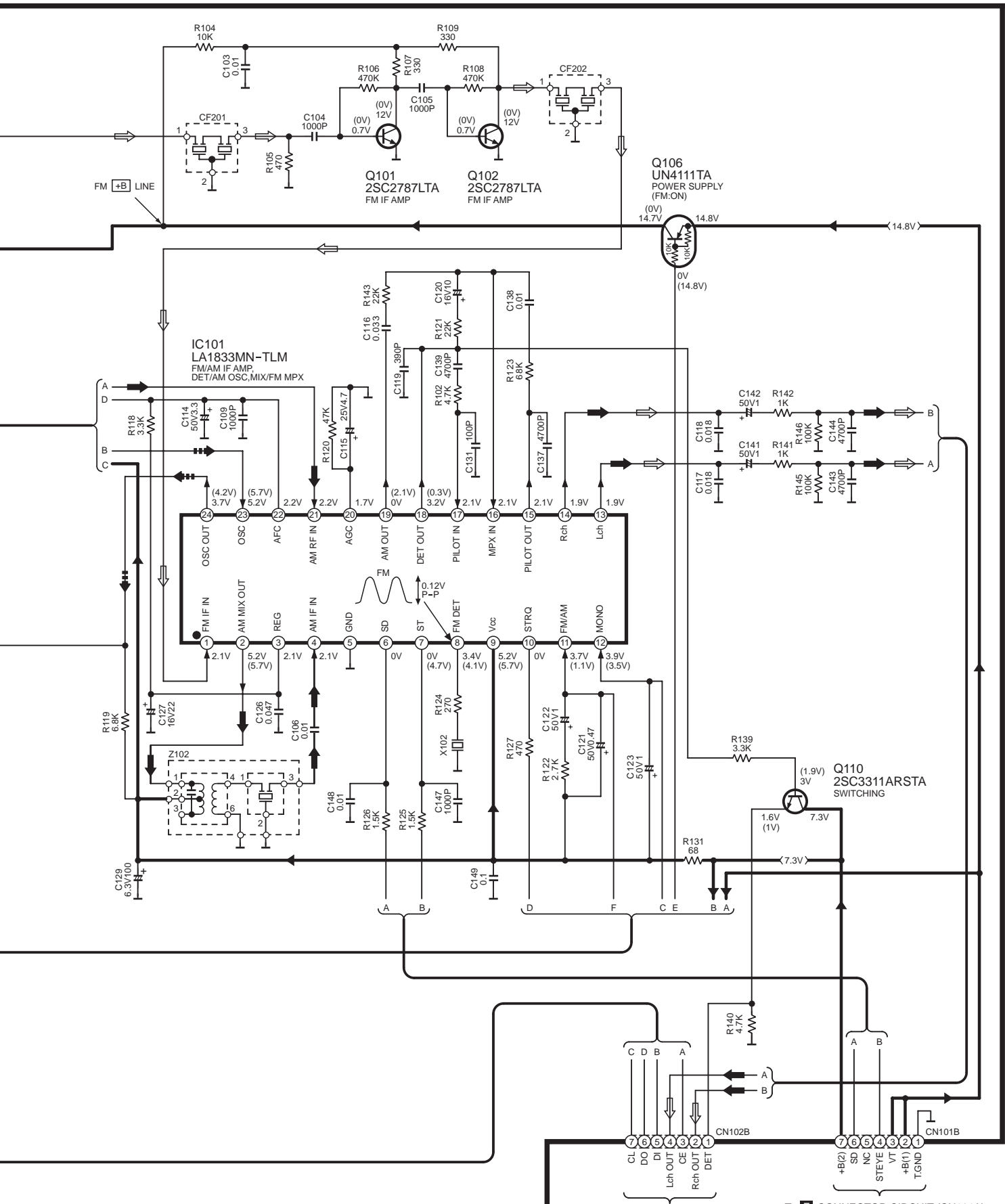


A TUNER CIRCUIT

: POSITIVE VOLTAGE LINE
 : FM SIGNAL LINE
 : AM SIGNAL LINE
 : FM OSC SIGNAL LINE
 : AM OSC SIGNAL LINE



➔ : POSITIVE VOLTAGE LINE ➞ : FM SIGNAL LINE ➡ : AM SIGNAL LINE ■■ : AM OSC SIGNAL LINE

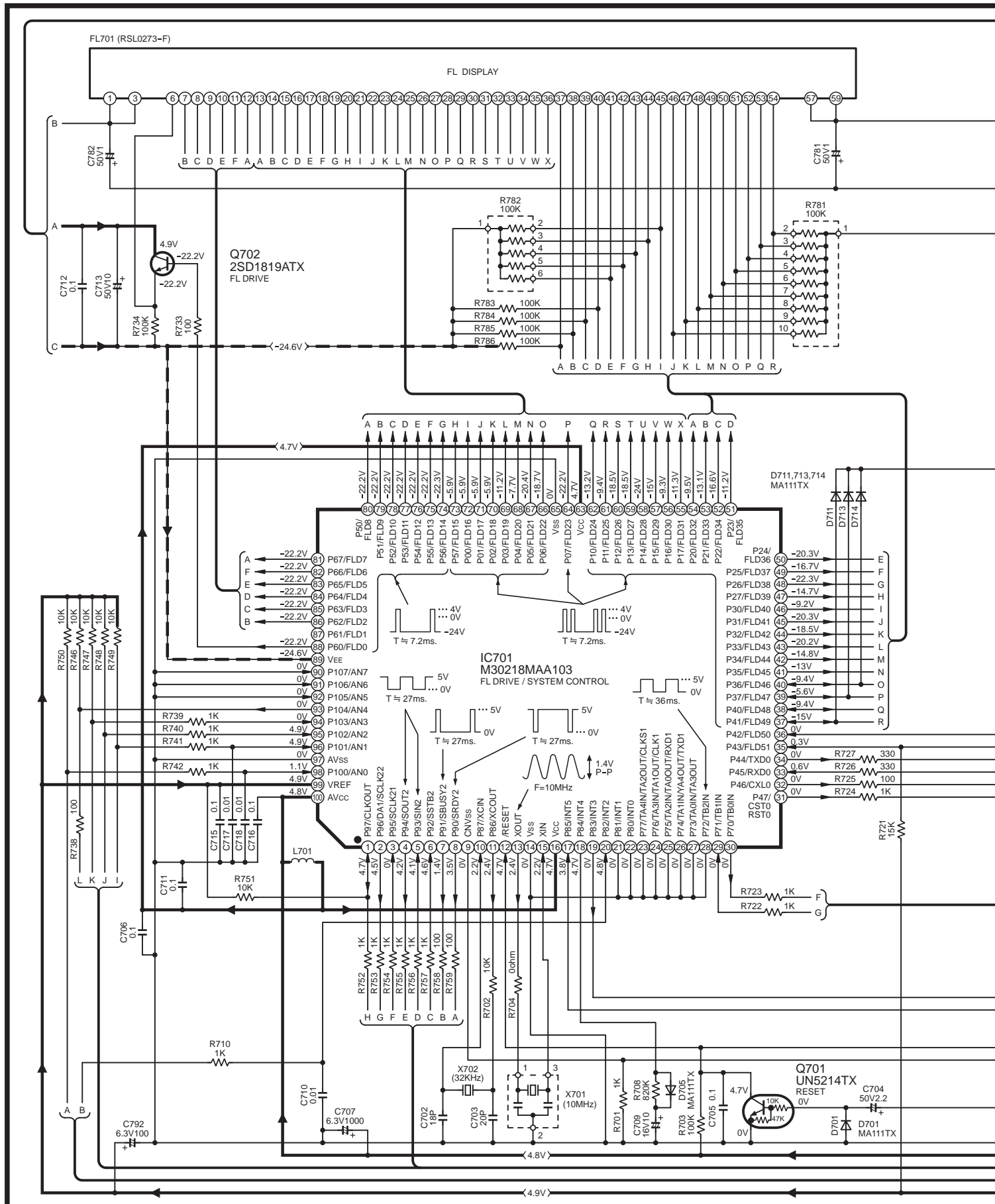


To **E** CONNECTOR CIRCUIT (CN102A) on SCHEMATIC DIAGRAM-4

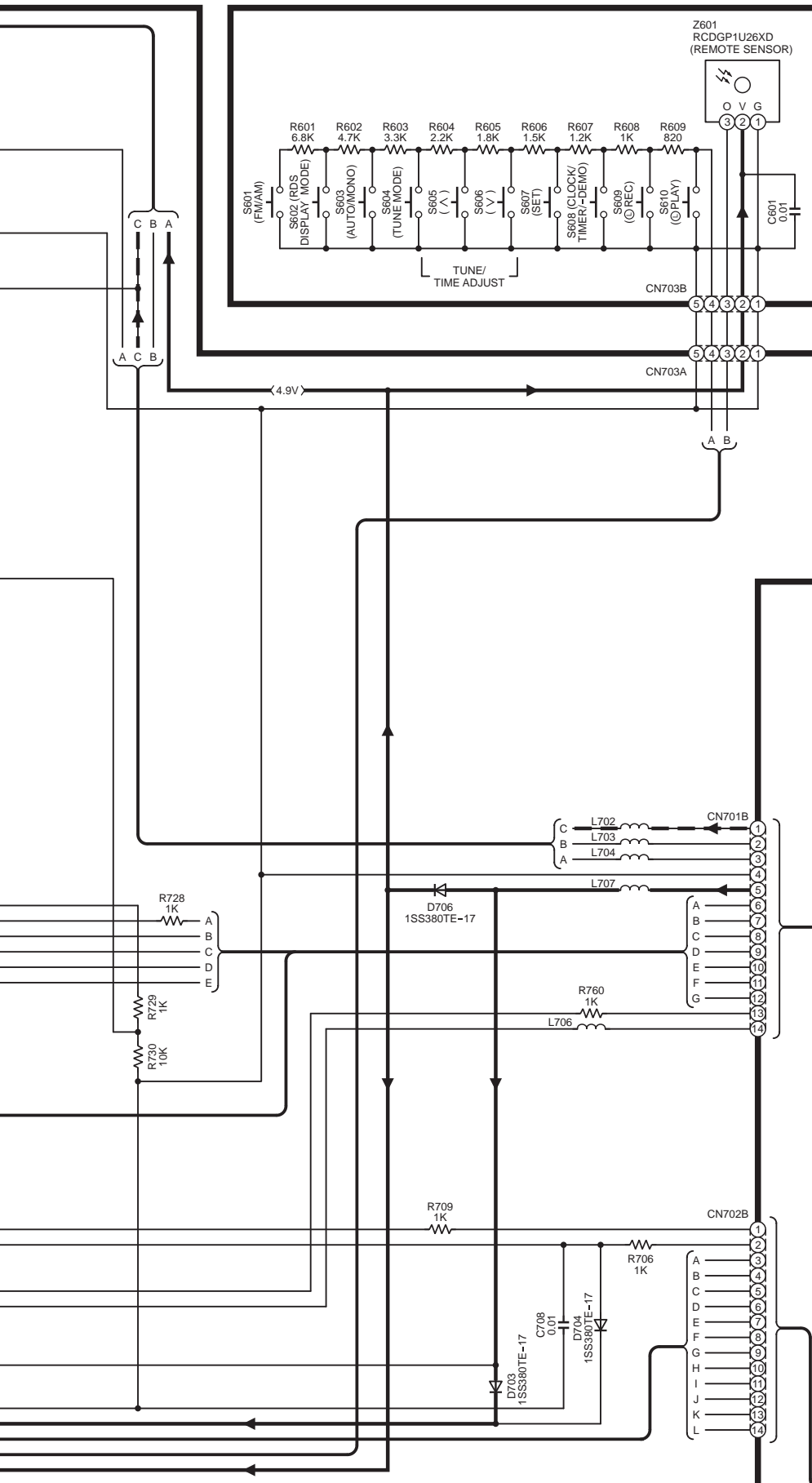
To **E** CONNECTOR CIRCUIT (CN101A) on SCHEMATIC DIAGRAM-4

B FL CIRCUIT

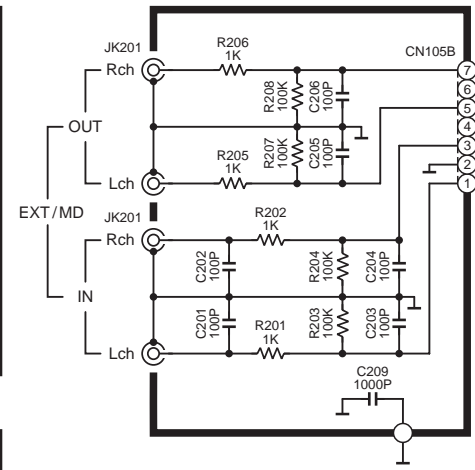
→ : POSITIVE VOLTAGE LINE -→ : NEGATIVE VOLTAGE LINE



C OPERATION CIRCUIT

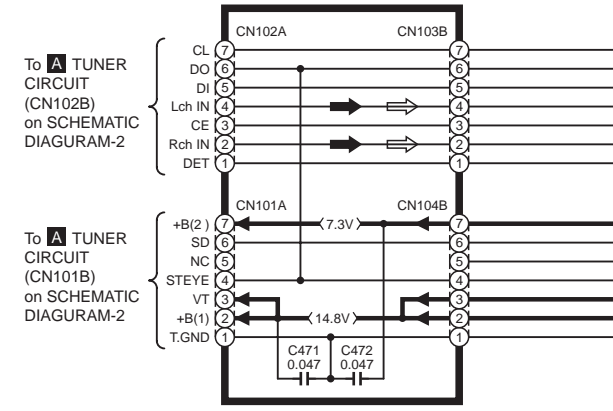


D IN/OUT TERMINAL CIRCUIT



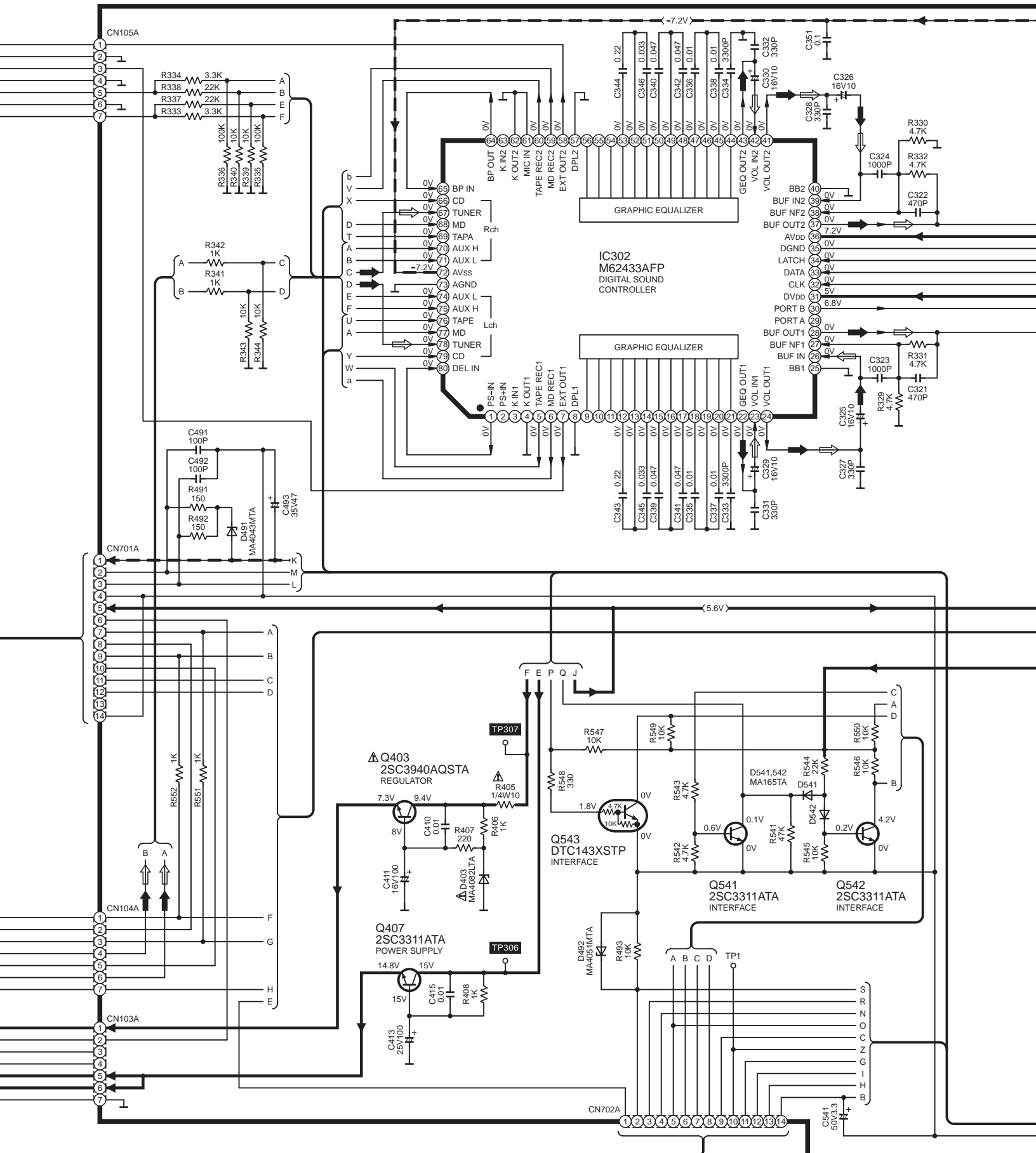
- ▶— : POSITIVE VOLTAGE LINE
- -▶- - : NEGATIVE VOLTAGE LINE
- ⇨ : FM SIGNAL LINE
- ▶ : AM SIGNAL LINE

E CONNECTOR CIRCUIT

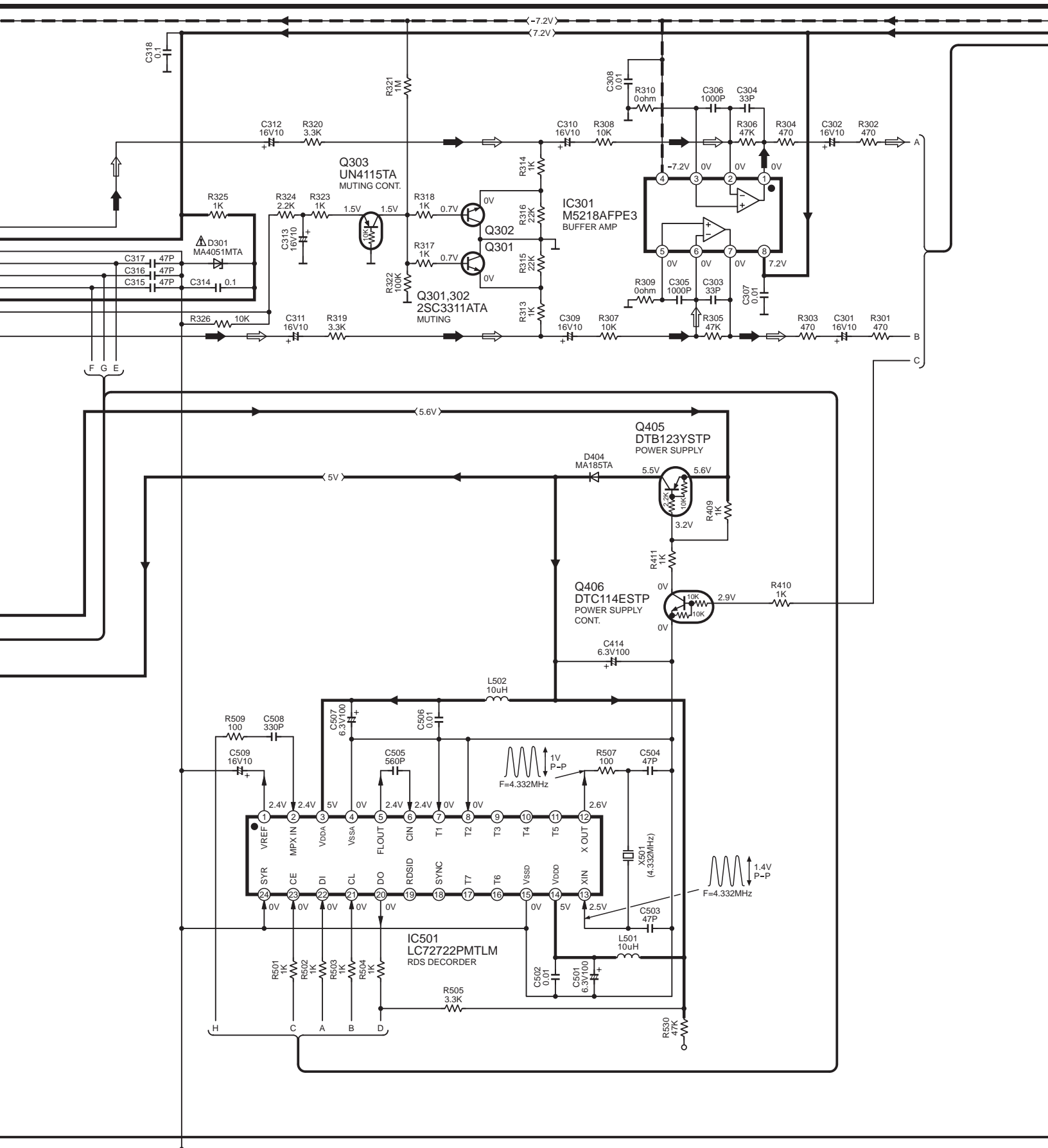


F MAIN CIRCUIT

➔ : POSITIVE VOLTAGE LINE ➔- : NEGATIVE VOLTAGE LINE ⇨ : FM SIGNAL LINE ➔ : AM SIGNAL LINE

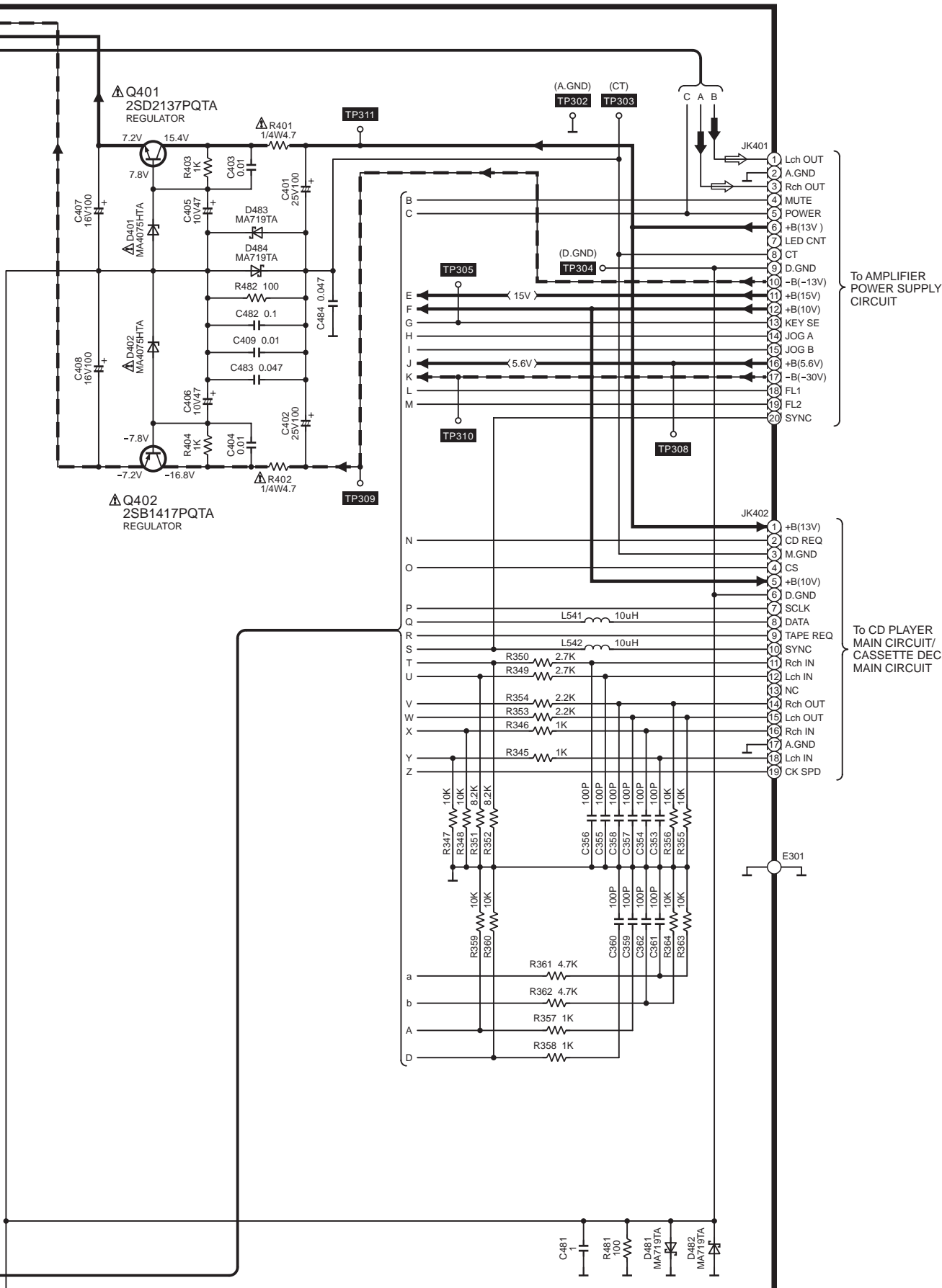


→ : POSITIVE VOLTAGE LINE - - - - - : NEGATIVE VOLTAGE LINE ⇨ : FM SIGNAL LINE ⇨ : AM SIGNAL LINE



H MAIN CIRCUIT

:NEGATIVE VOLTAGE LINE
 :POSITIVE VOLTAGE LINE
 :FM SIGNAL LINE
 :AM SIGNAL LINE



To AMPLIFIER
POWER SUPPLY
CIRCUIT

To CD PLAYER
MAIN CIRCUIT/
CASSETTE DECK
MAIN CIRCUIT